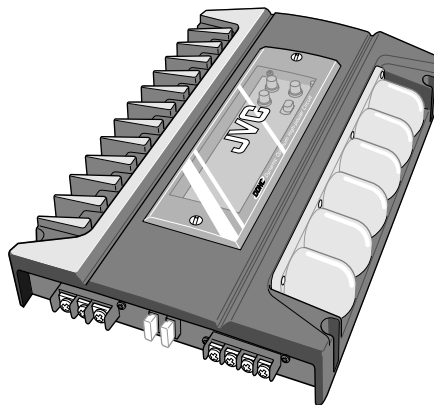


JVC

SERVICE MANUAL

POWER AMPLIFIER

KS-AX6700



Areas suffix

J ----- Nothem America
E ----- Continental Europe

Caution

If electricity is connected during disassembly, it must be a no load current. If it is load current, be sure to attach a heat sink to the power-amp IC. This will be damaged if the above precautions are not followed, as it does not have a sub heat sink attached to it.

Contents

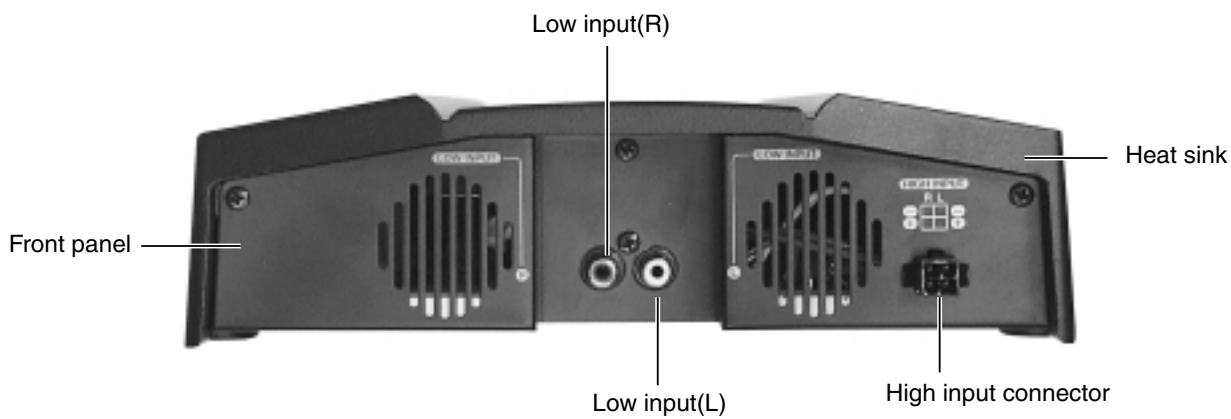
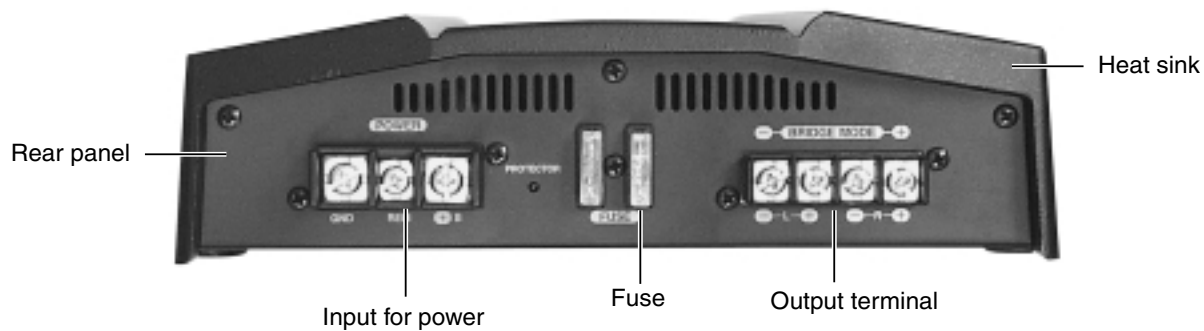
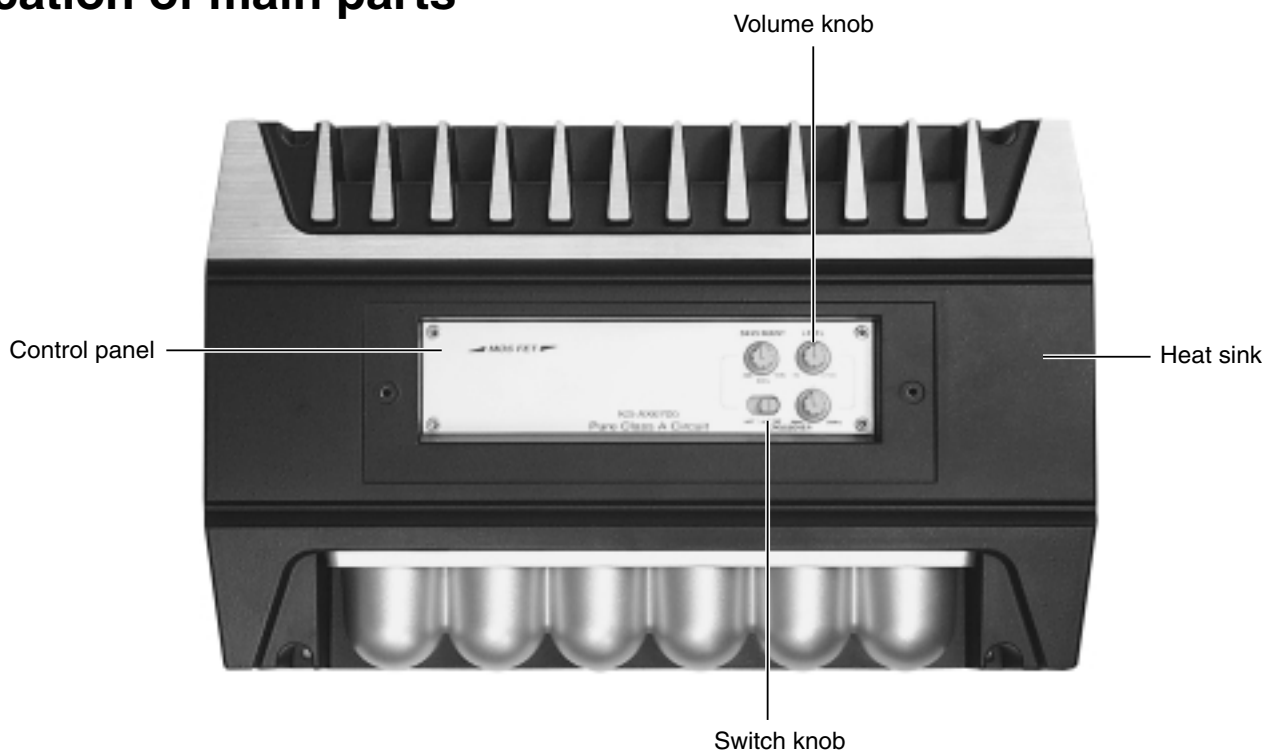
Safety Precaution	1-2
Location of main parts	1-3
Removal of main parts	1-5
Adjustment method	1-8
Wire connection diagram	1-9

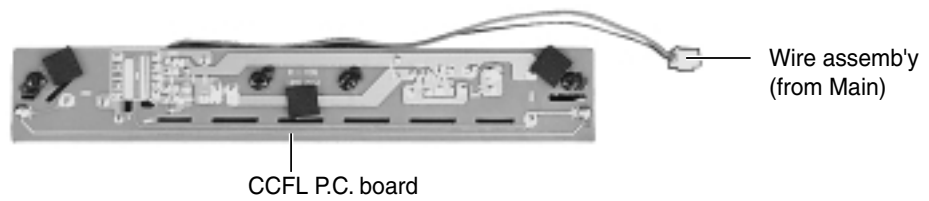
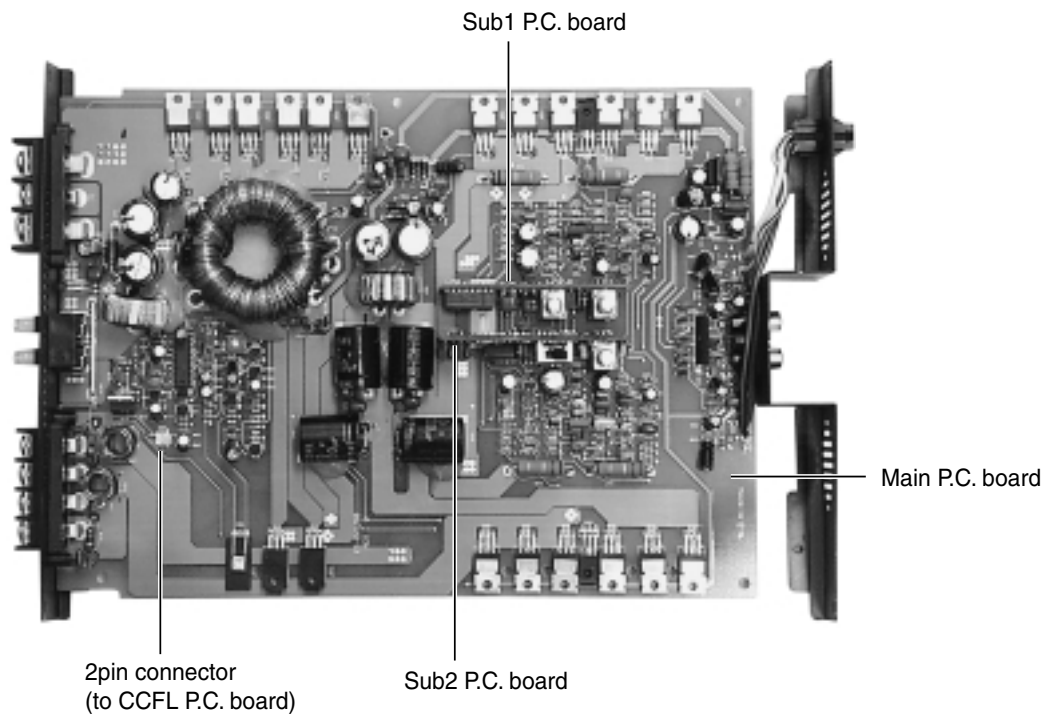
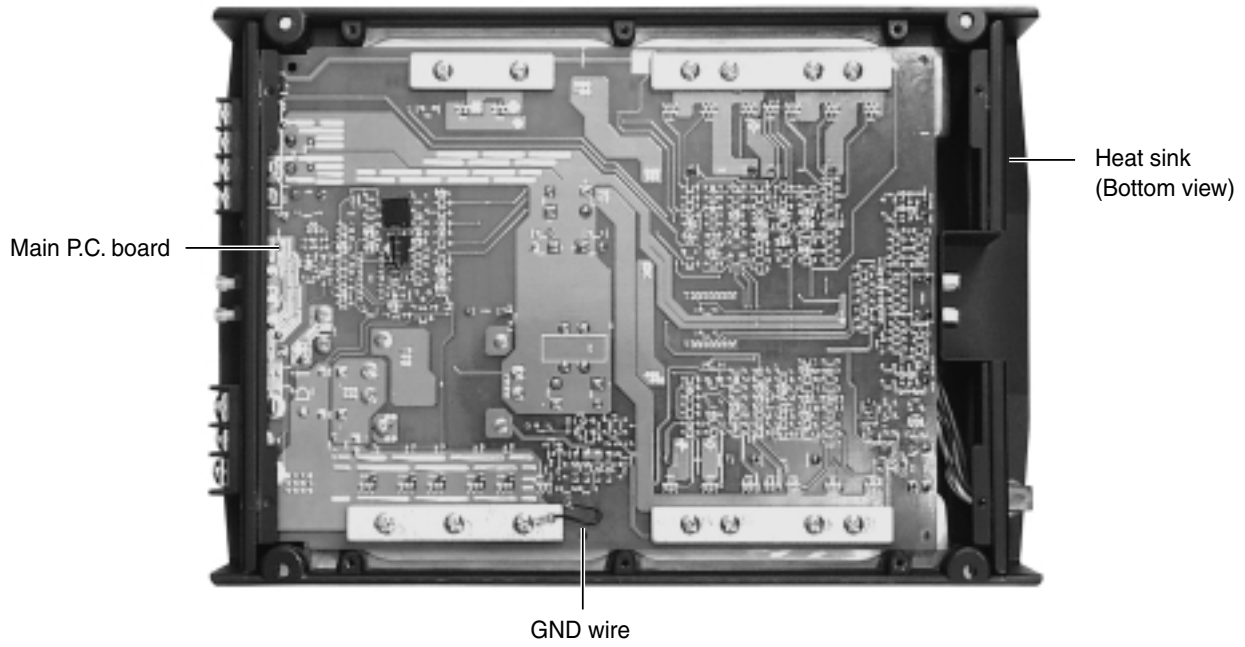
Safety precaution



CAUTION Burrs formed during molding may be left over on some parts of the chassis. Therefore, pay attention to such burrs in the case of performing repair of this system.

Location of main parts





Removal of main parts

CAUTION: If electricity is connected during disassembly, it must be a no load current. If it is load current, be sure to attach a heat sink to the power-amp IC. This will be damaged if the above precautions are not followed, as it does not have a sub heat sink attached to it.

■ Removing the bottom cover (see Fig. 1)

1. From the bottom side of the main unit, remove the 4 screws A retaining the bottom cover.
2. Then remove the 6 screws B retaining the bottom cover.
3. Remove the bottom cover.

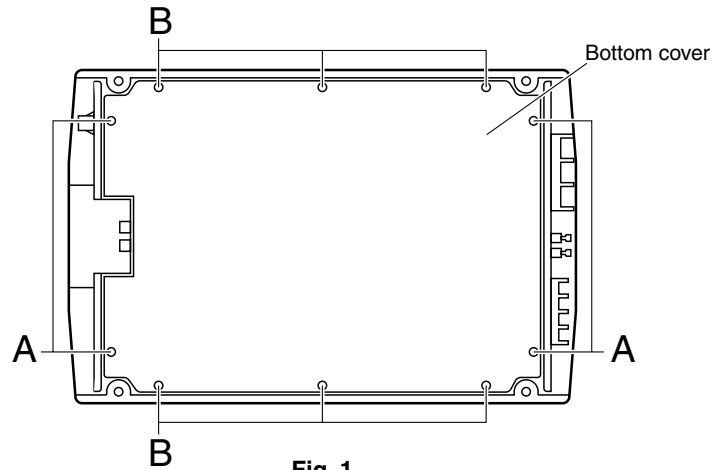


Fig. 1

■ Removing the main P.C. board (see Fig. 2 to 8)

1. Remove the bottom cover from the main unit.
2. Loosen and remove the 2 screws C retaining the top plate on the main unit. (Stoppers are attached to the backs of the C screws so that they cannot be removed easily.)

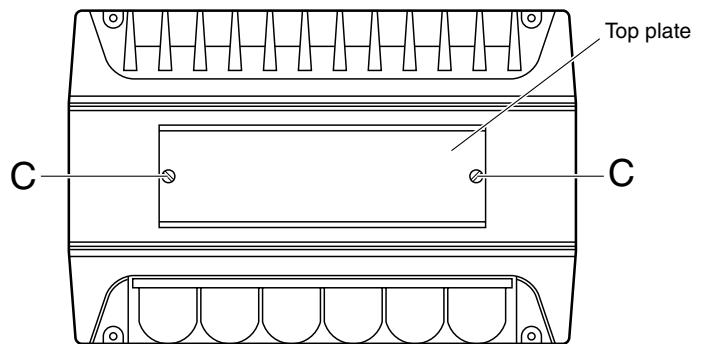


Fig. 2

3. Remove the 3 volume knobs on top of the control panel. If it cannot be pulled out easily, insert a scale or suitable lever between the base of the volume knob and the control panel so that the volume knob is raised a little above the surface and then remove it. **(Be careful when inserting a lever etc. not to scratch the surface of the control panel).**

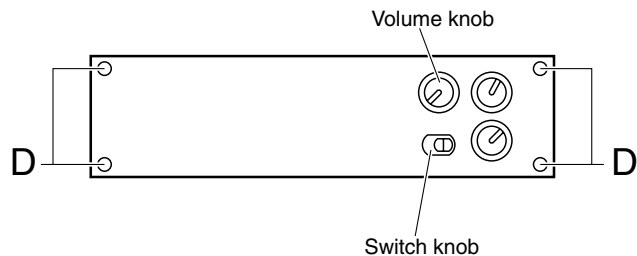


Fig. 3

4. Remove the 4 screws D retaining the control panel. Then detach the control panel and the switch knob.

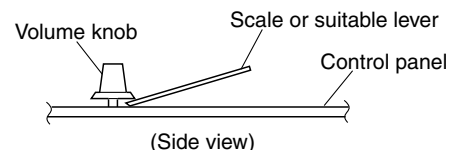


Fig. 4

5. Remove the 6 screws E retaining the panels on both sides of the main unit.

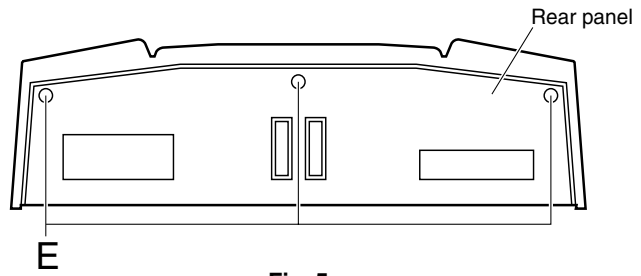


Fig. 5

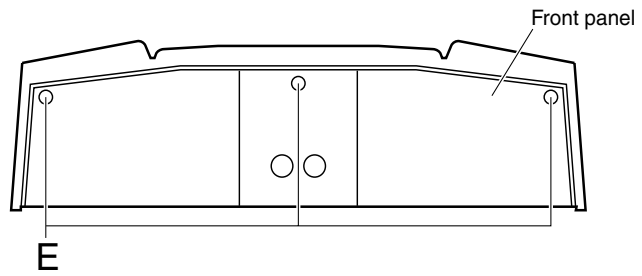


Fig. 6

6. Remove the 13 screws F attaching the main P.C. board to the bottom of the main unit.
(The GND wire that protrudes from the main P.C. board must be re-installed to its original position during re-assembly.)

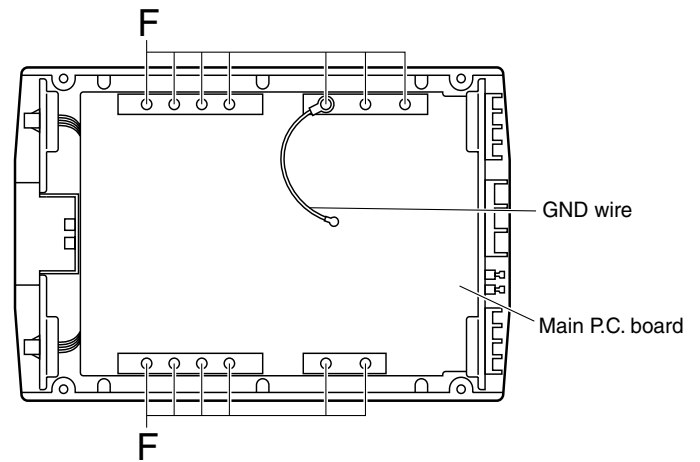


Fig. 7

7. To remove the wire ass'y, lift up the main P.C. board a little.

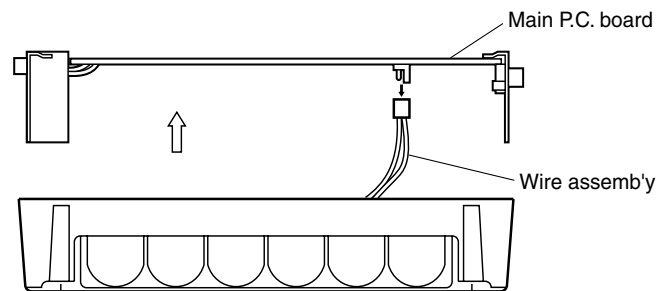


Fig. 8

■ Removing the CCFL board (see Fig. 9 to 12)

1. Remove the bottom cover.
2. Then remove the Main P.C. board.
3. From the bottom side of the main unit, remove the 4 screws G retaining the CCFL cover.

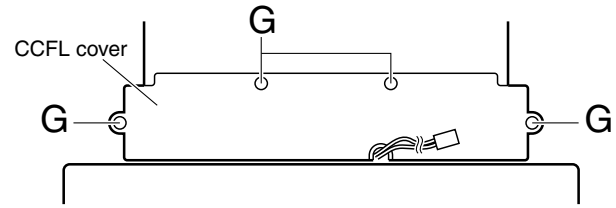


Fig. 9

4. Then remove the insulation sheet on top of the CCFL P.C. board.

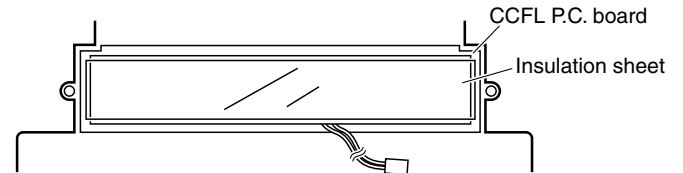


Fig. 10

5. Remove the 4 screws H retaining the CCFL P.C. board.

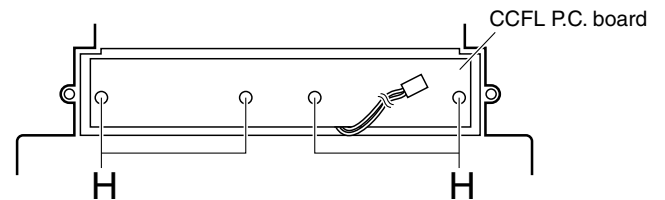


Fig. 11

6. Remove the CCFL P.C. board by sliding it a little towards the arrow mark.

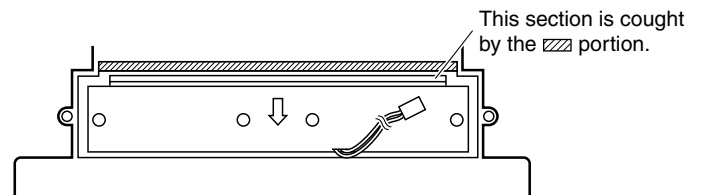
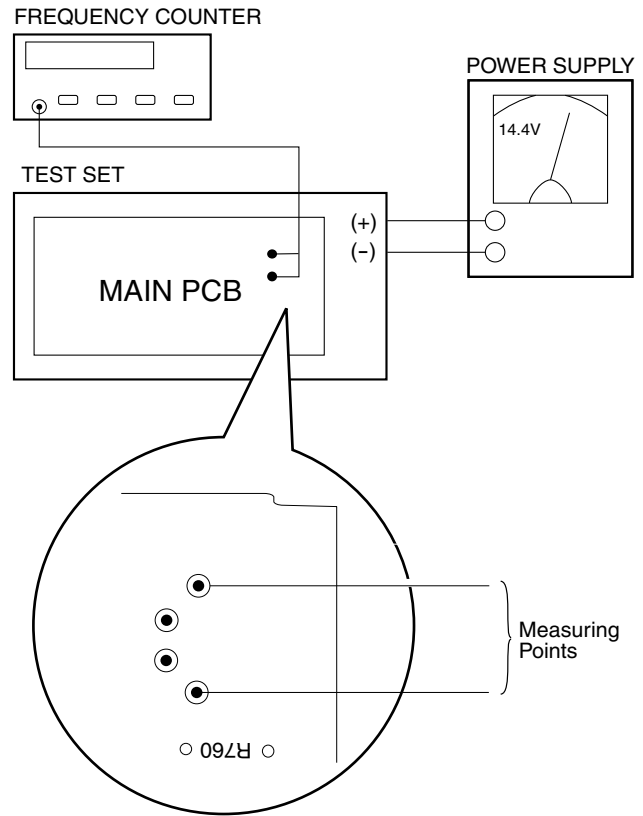


Fig. 12

Adjustment method

1. Check the voltage and frequency of the secondary toroidal coil.

FREQUENCY:24.35kHz ±10Hz
 VOLTAGE VALUE:55Vp-p



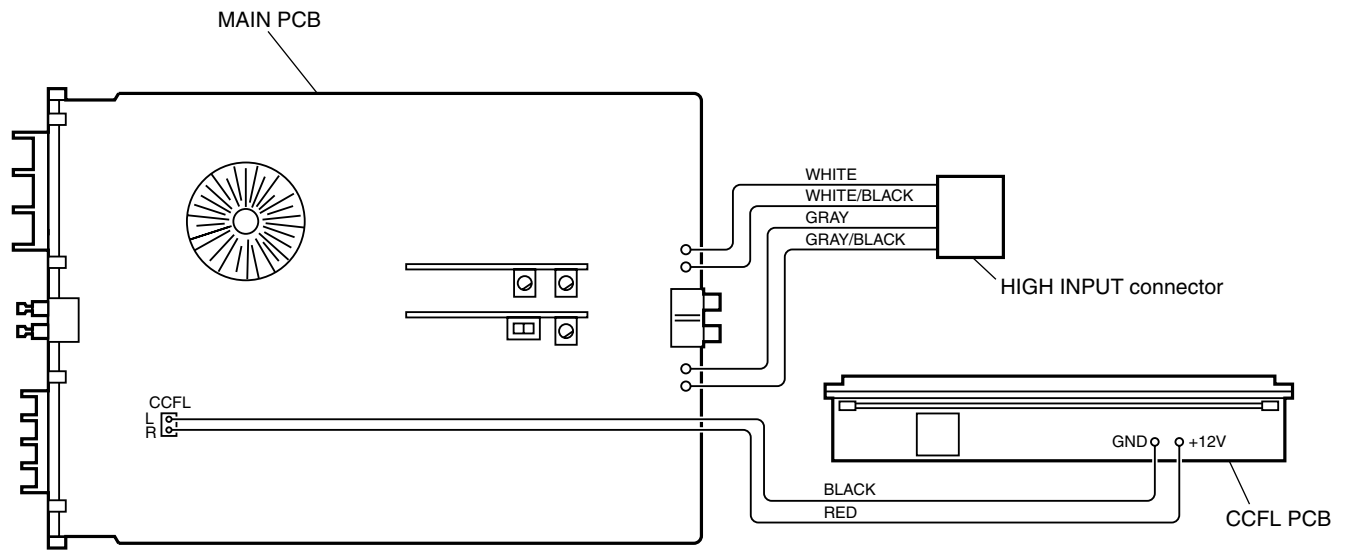
2. Measure the secondary toroidal coil, if the standard frequency value of 24.35 kHz ± 10 Hz is not attained, measure the R760 terminal, then adjust the VR701 so that the R760 terminal becomes 24.25 kHz ± 10Hz.

Note: When measuring, adjust and apply power with no signal or load on each board.

DC/DC CONVERTER SECOND GENERATOR SWITCHING

TEST ITEM	SPECIFICATION	CONDITION	
VOLTAGE TEST	88Vp-p±2.5V	OSCILLOSCOPE VOLT/DIV: 10 TIME/DIV: 10msec VARIABLE: MINIMUM	
FREQUENCY CHECK	24.350KHz±10Hz		

Wire connection diagram



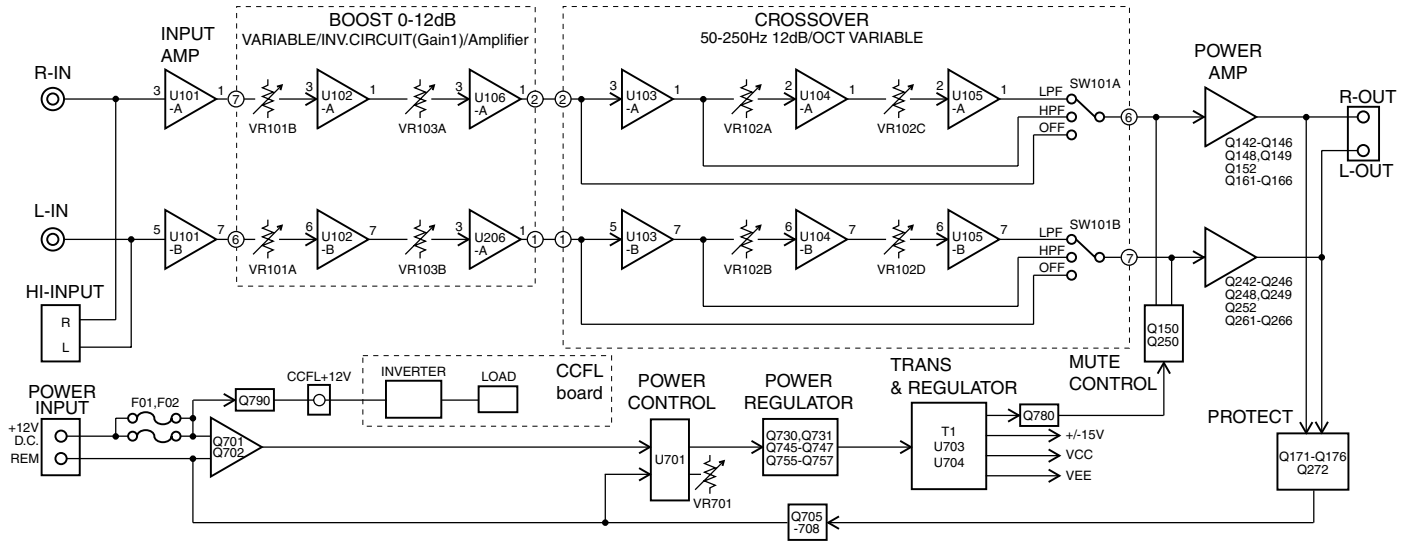
JVC

VICTOR COMPANY OF JAPAN, LIMITED

MOBILE ELECTRONICS DIVISION

PERSONAL & MOBILE NETWORK B.U. 10-1,1Chome,Ohwatari-machi,Maebashi-city,Japan

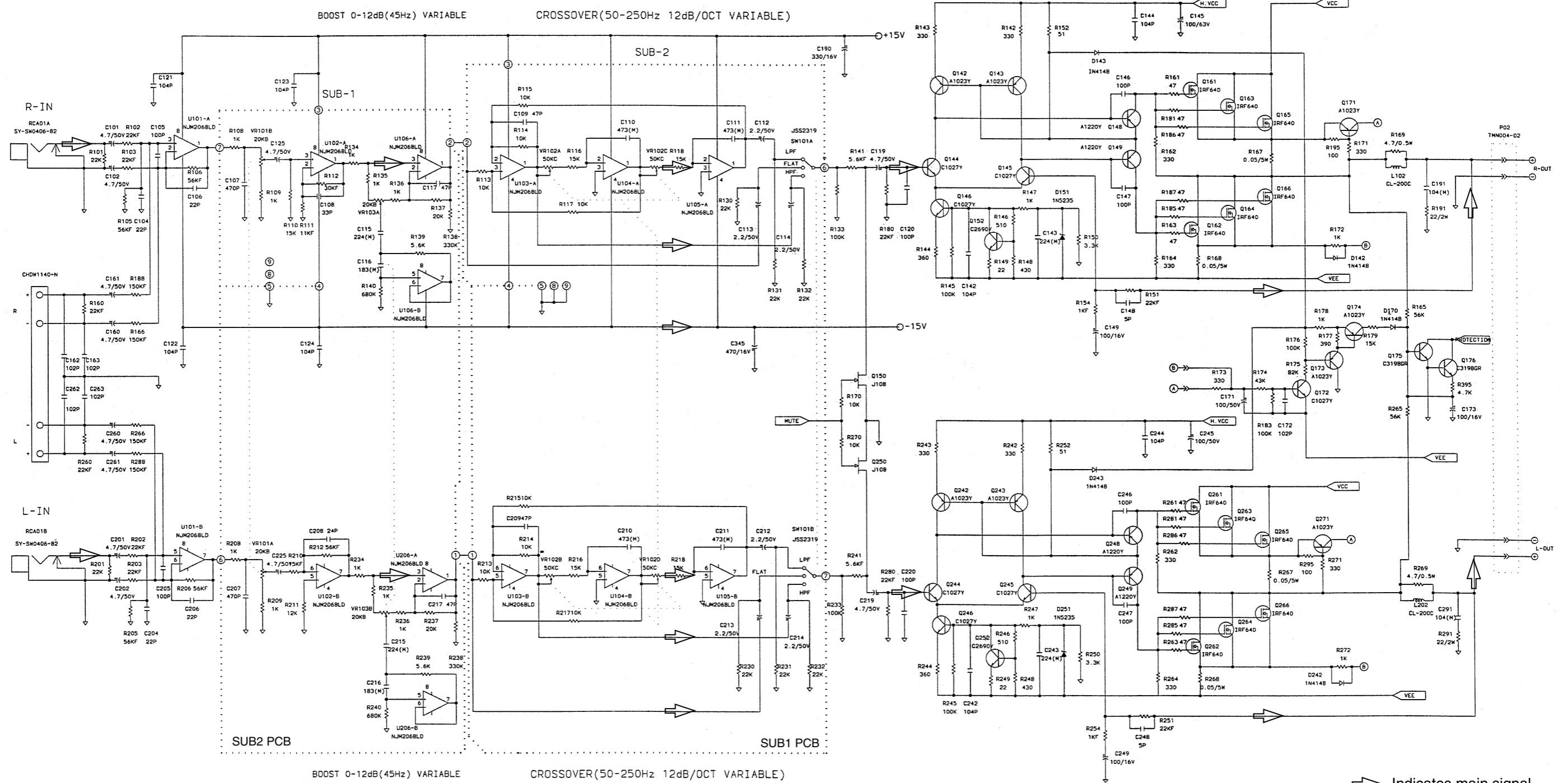
Block diagram



Standard schematic diagrams

■ Main board and sub [1/2] /sub2 board circuit diagram

7
6
5
4
3
2
1



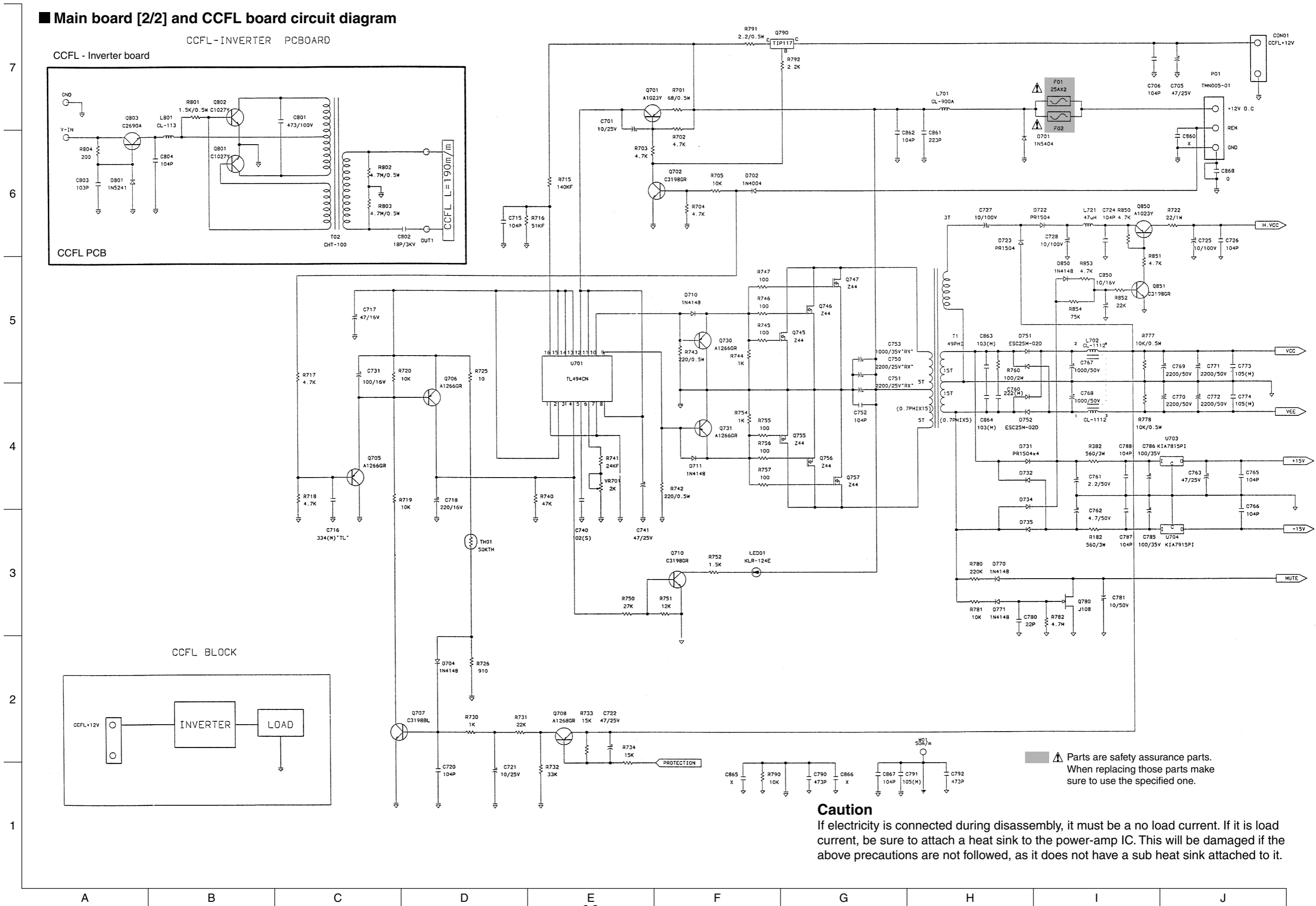
⇒ Indicates main signal

Caution

If electricity is connected during disassembly, it must be a no load current. If it is load current, be sure to attach a heat sink to the power-amp IC. This will be damaged if the above precautions are not followed, as it does not have a sub heat sink attached to it.

A B C D E F G H I J

■ Main board [2/2] and CCFL board circuit diagram



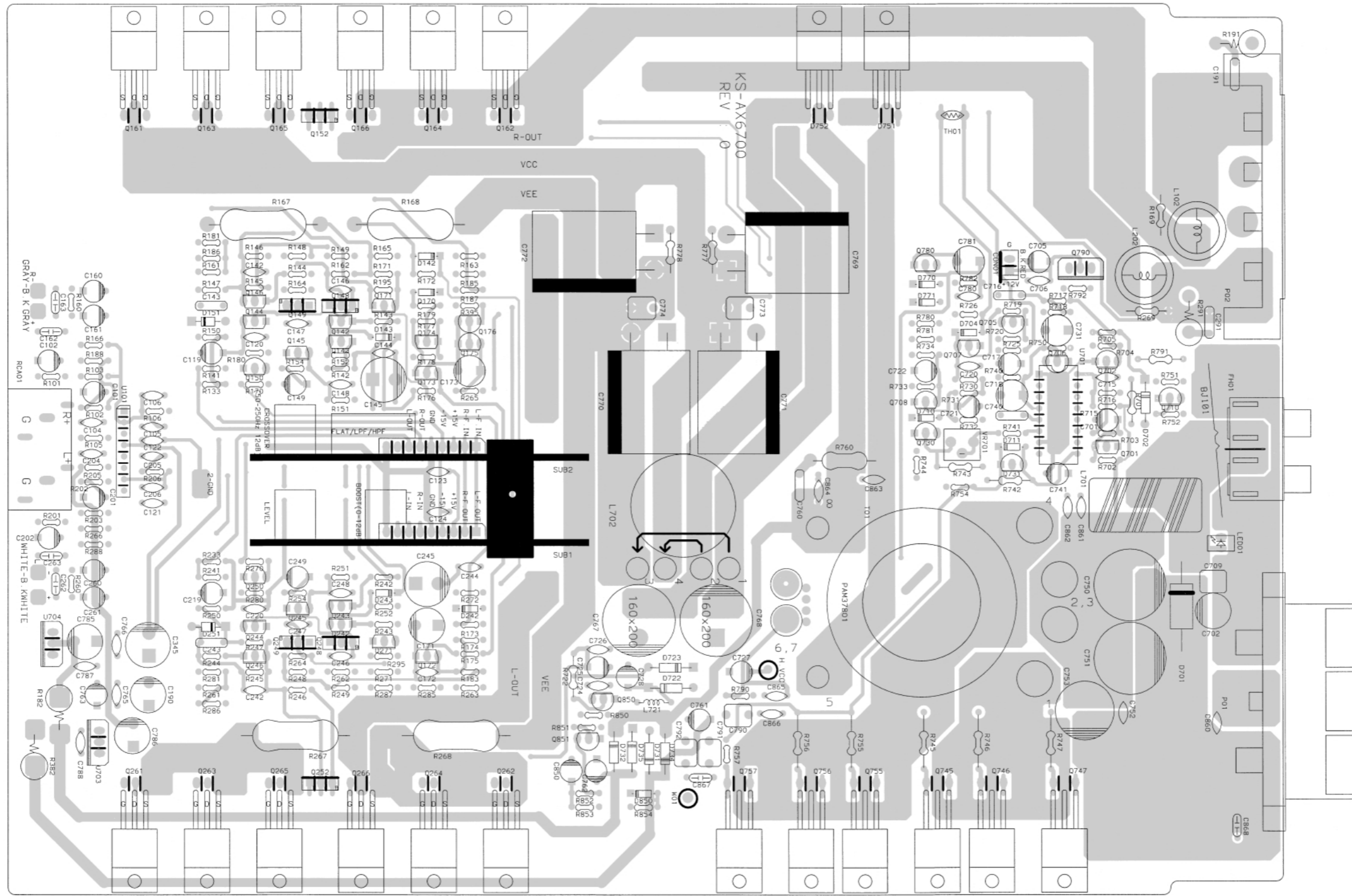
▲ Parts are safety assurance parts. When replacing those parts make sure to use the specified one.

Caution
If electricity is connected during disassembly, it must be a no load current. If it is load current, be sure to attach a heat sink to the power-amp IC. This will be damaged if the above precautions are not followed, as it does not have a sub heat sink attached to it.

Printed circuit boards

■ Main board

Surface side view



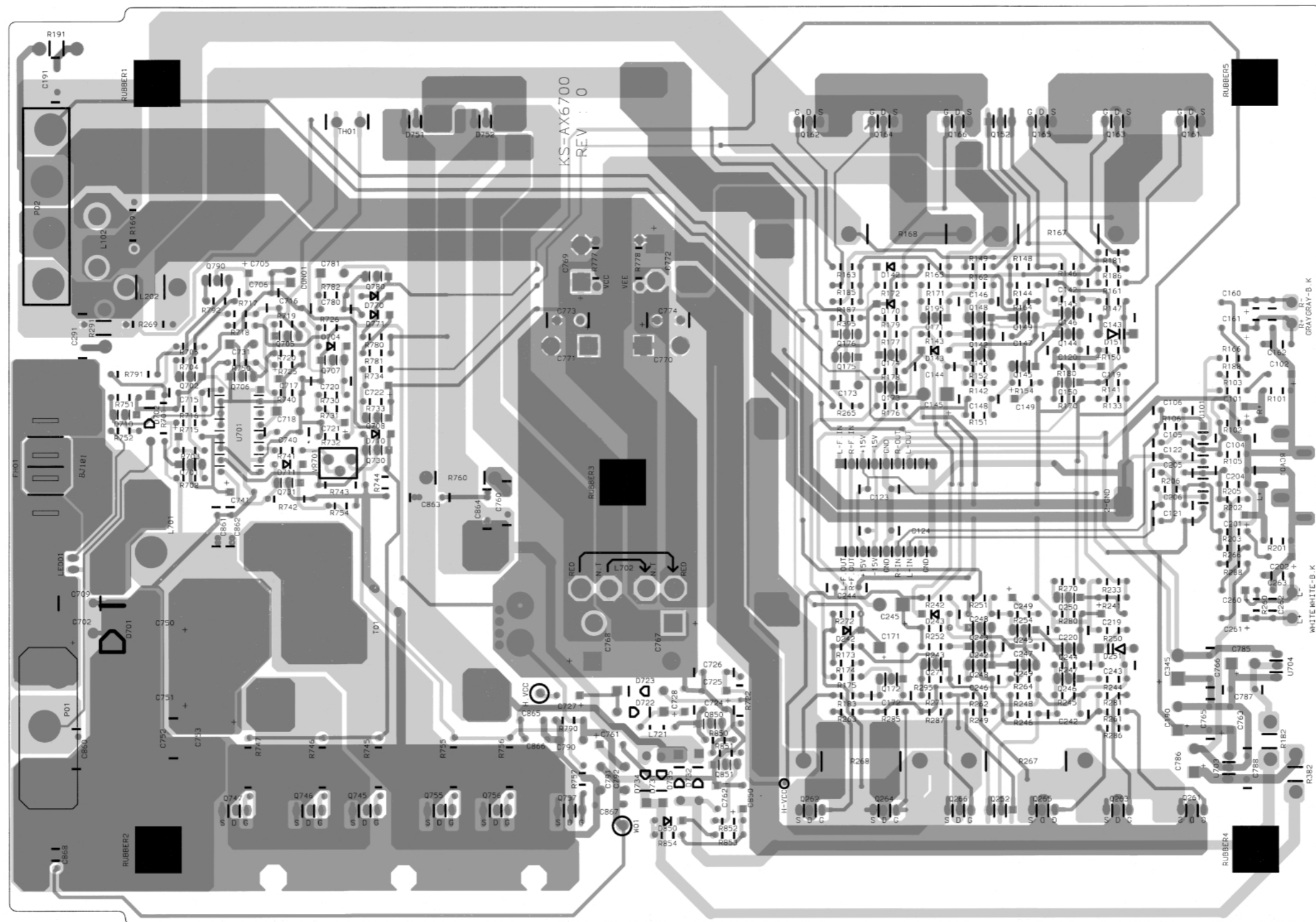
Caution

If electricity is connected during disassembly, it must be a no load current. If it is load current, be sure to attach a heat sink to the power-amp IC. This will be damaged if the above precautions are not followed, as it does not have a sub heat sink attached to it.

7
6
5
4
3
2
1

A B C D E F G H I J

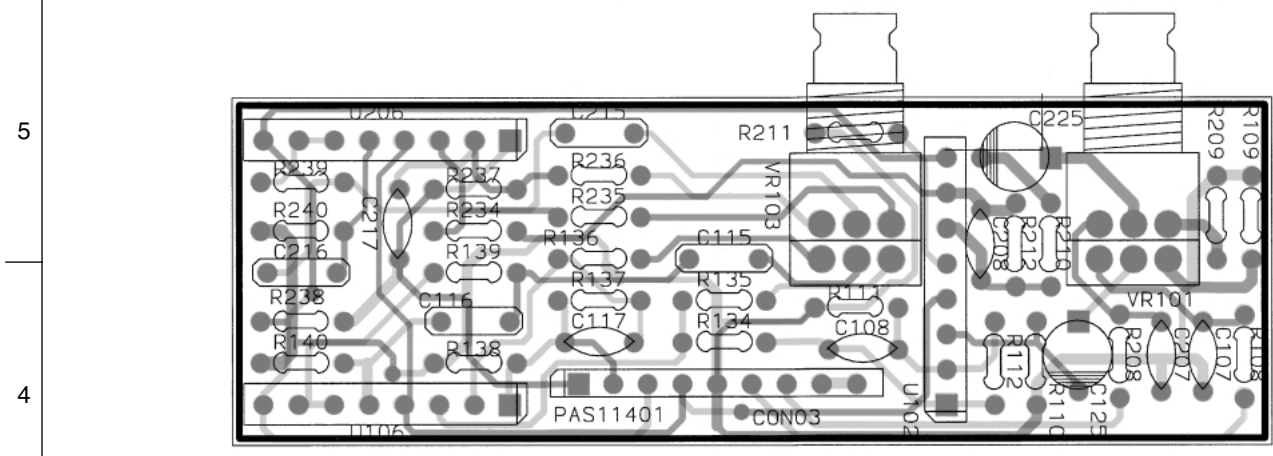
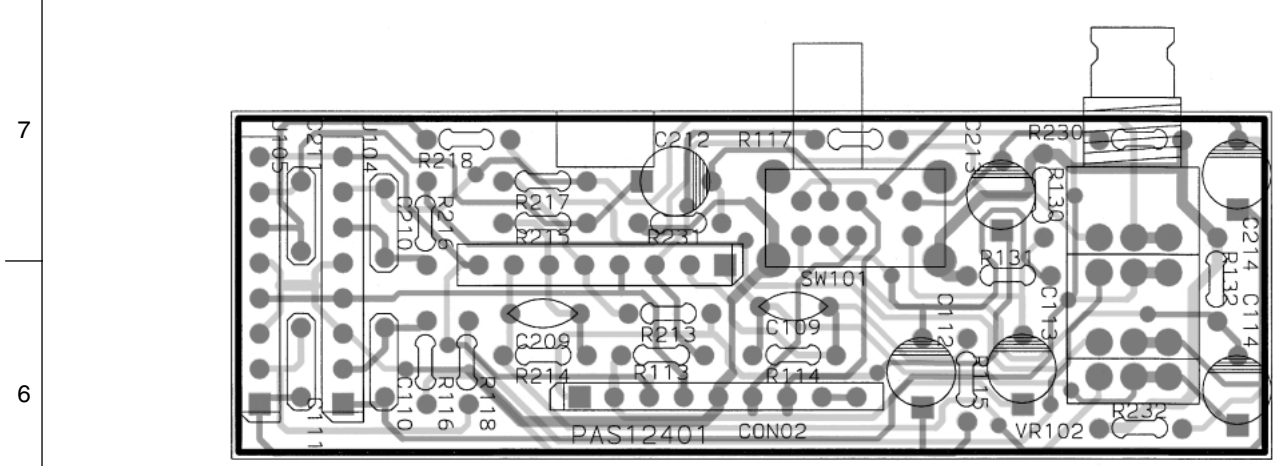
Bottom side view



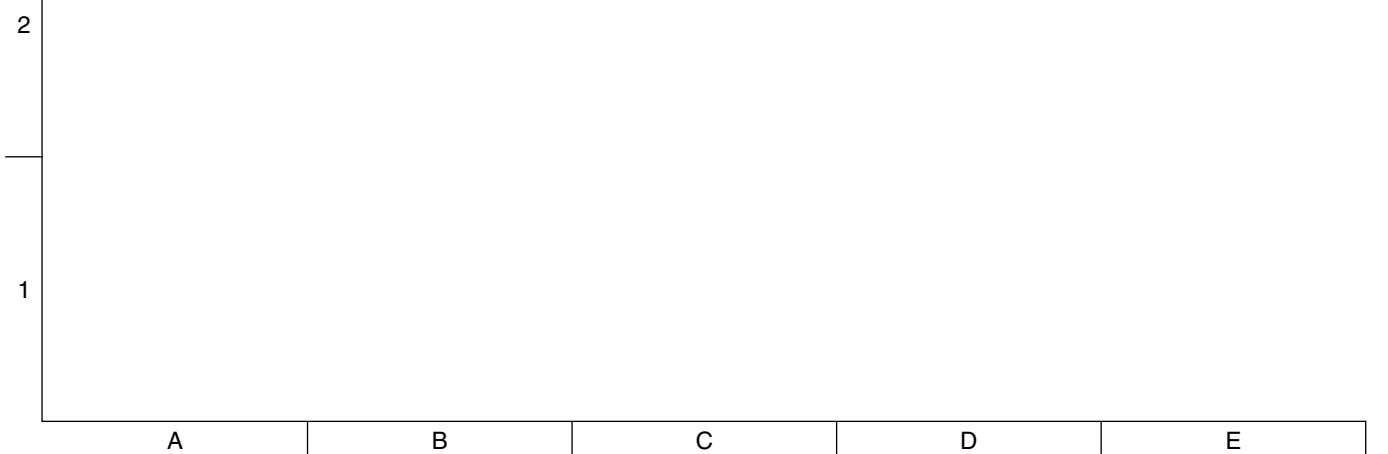
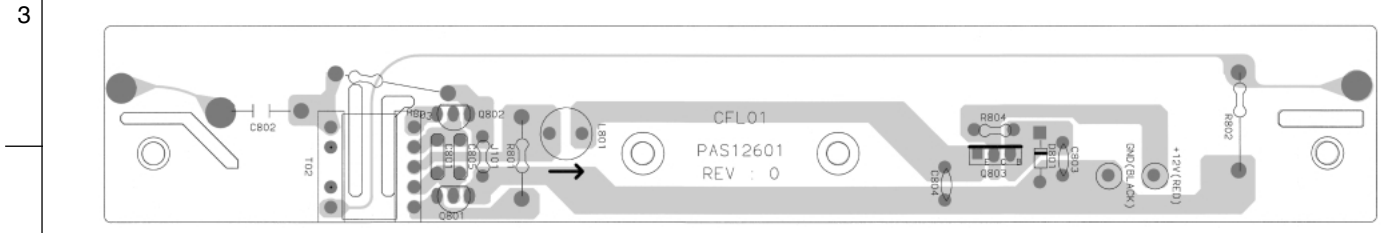
Caution

If electricity is connected during disassembly, it must be a no load current. If it is load current, be sure to attach a heat sink to the power-amp IC. This will be damaged if the above precautions are not followed, as it does not have a sub heat sink attached to it.

■ Sub1/sub2 P.C. board (Volume board)



■ CCFL P.C. board



PARTS LIST

[KS-AX6700]

* All printed circuit boards and its assemblies are not available as service parts.

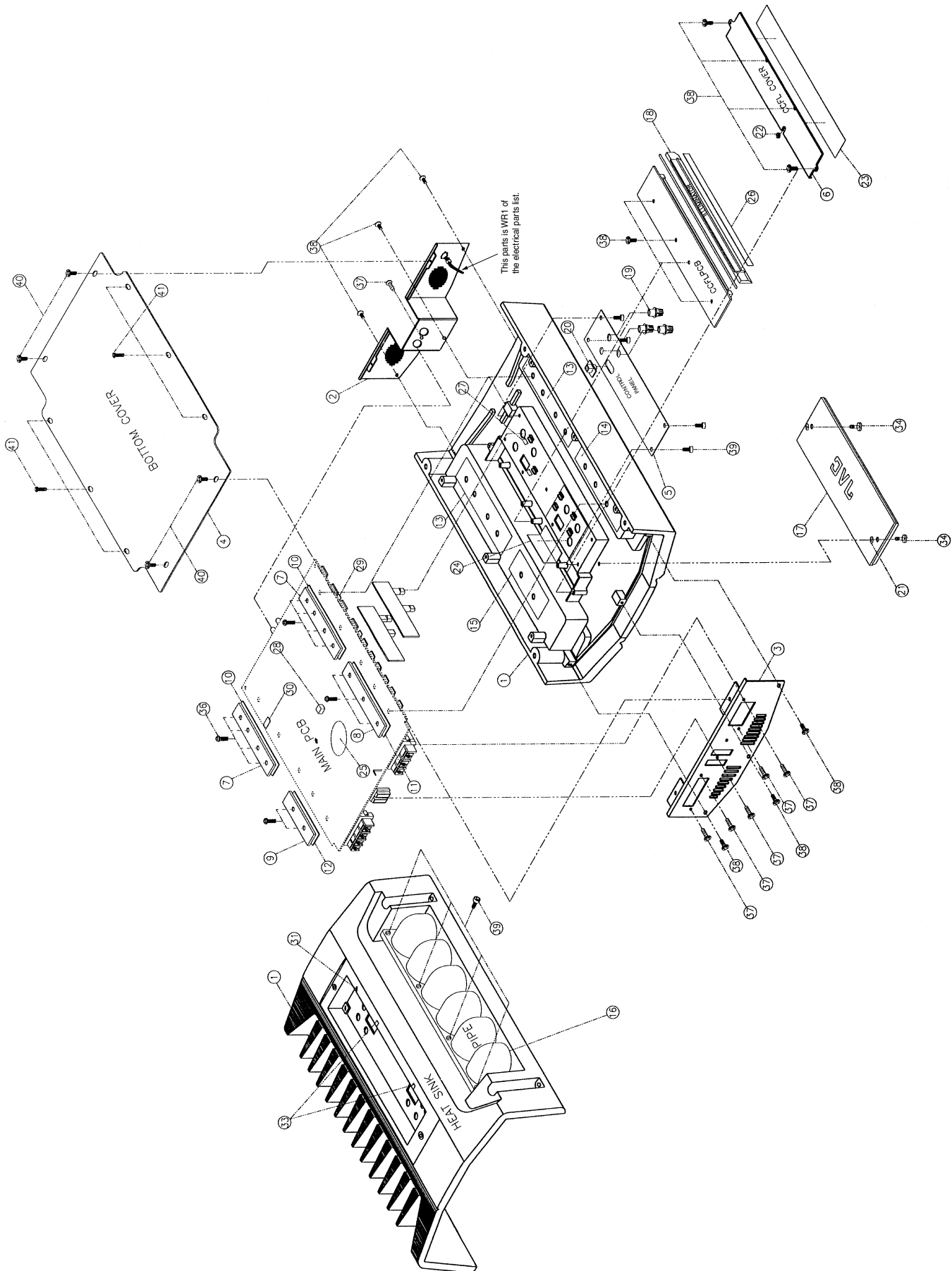
Areas suffix	
J	----- Nothem America
E	----- Continental Europe

- Contents -

Exploded view of enclosure assembly and parts list	----- 3-2
Electrical parts list	----- 3-4
Packing and accessories	----- 3-10

Exploded view of enclosure assembly and parts list

Block No. M 1 M M



Parts list (Enclosure assembly)

Block No. M1MM

△	Item	Parts number	Parts name	Q'ty	Description	Area
	1	MAHS070047-2	HEAT SINK	1		
	2	MAFP076019-1	FRONT PANEL	1		
	3	MARP706021-1	REAR PANEL	1		
	4	MABC076014-1	BOTTOM COVER	1		
	5	MATC041489-1	CONTROL PANEL	1		
	6	MASO051491-1	CCFL COVER	1		
	7	MABR031494-0	TR BRACKET (A)	2		
	8	MABR031493-0	TR BRACKET (B)	1		
	9	MABR031495-0	TR BRACKET (C)	1		
	10	MOCU011504-2	TR BRACKET CUS	4		
	11	MOCU011503-2	TR BRACKET CUS	2		
	12	MOCU011505-2	TR BRACKET CUS	2		
	13	MASP001519-0	SILICON PAD (A)	2		
	14	MASP001509-0	SILICON PAD (B)	1		
	15	MASP001520-0	SILICON PAD (C)	1		
	16	MAPO022903-0	PIPE	1		
	17	MATC036022-1	TOP PLATE	1		
	18	MAIL001501-1	ILLUMINATOR	1		
	19	MOKB076023-1	VOLUME KNOB	3		
	20	MOKB076024-1	SWITCH KNOB	1		
	21	MOWA051506-0	POLY WASHER	2		
	22	MABU031496-0	WIRE BUSHING	1		
	23	MOCU111508-0	INSULATION SHEE	1		
	24	MOCU111535-1	INSULATION SHEE	1		
	25	MOFI011538-0	FIBER PLATE	1		
	26	MOCU011511-1	CCFL CUSHION(A)	1		
	27	MOCU011512-0	CCFL CUSHION(B)	2		
	28	MOCU001521-0	RUBBER CUSHION	1		
	29	MOCU014097-0	RUBBER CUSHION	1		
	30	MOCU014097-0	RUBBER CUSHION	2		
	31	MOCU021701-0	FIBER CUSHI	3		
	33	MOCU061498-0	EVA CUSHION	2		
	34	MNSC00140-9.3	SCREW	2		
	36	MNSC00740-14	SCREW	13		
	37	MBSC03230-08	SCREW	6		
	38	MBSC00230-06	SCREW	14		
	39	MNSC00630-06	SCREW	8		
	40	MBSC04330-05	SCREW	4		
	41	MBSC00330-08	SCREW	6		

Electrical parts list

■ Electrical parts list (MAIN PCB)

Block No. 01

△	Item	Parts number	Parts name	Remarks	Area	△	Item	Parts number	Parts name	Remarks	Area	
	C 101	ELE4.7/50VSMS	CAPACITOR	ELECTROLYTIC SM			C 728	ELE10/100VSMS	CAPACITOR	ELECTROLYTIC SM		
	C 102	ELE4.7/50VSMS	CAPACITOR	ELECTROLYTIC SM			C 731	ELE100/16VSMS	CAPACITOR	ELECTROLYTIC SM		
	C 104	CER22PF50VNPO	CAPACITOR	CERAMIC DISK 50			C 740	MAL102J	CAPACITOR	STICON		
	C 105	CER100PF50VNPO	CAPACITOR	CERAMIC DISK 50			C 741	ELE47/25VSMS	CAPACITOR	ELECTROLYTIC SM		
	C 106	CER22PF50VNPO	CAPACITOR	CERAMIC DISK 50			C 750	ELE2200/25VRX	CAPACITOR	ELECTROLYTIC R		
	C 119	ELE4.7/50VSMS	CAPACITOR	ELECTROLYTIC SM			C 751	ELE2200/25VRX	CAPACITOR	ELECTROLYTIC R		
	C 120	CER100PF50VNPO	CAPACITOR	CERAMIC DISK 50			C 752	CER104PF50V	CAPACITOR	CERAMIC DISK 50		
	C 121	CER104PF50V	CAPACITOR	CERAMIC DISK 50			C 753	ELE1000/35VRX	CAPACITOR	ELECTROLYTIC R		
	C 122	CER104PF50V	CAPACITOR	CERAMIC DISK 50			C 760	MAL222J63VTL	CAPACITOR	MYLAR 5% 63V T		
	C 123	CER104PF50V	CAPACITOR	CERAMIC DISK 50			C 761	ELE2.2/50VSMS	CAPACITOR	ELECTROLYTIC SM		
	C 124	CER104PF50V	CAPACITOR	CERAMIC DISK 50			C 762	ELE4.7/50VSMS	CAPACITOR	ELECTROLYTIC SM		
	C 142	CER104PF50V	CAPACITOR	CERAMIC DISK 50			C 763	ELE47/25VSMS	CAPACITOR	ELECTROLYTIC SM		
	C 143	MAL224J63VTL	CAPACITOR	MYLAR 5% 63V T			C 765	CER104PF50V	CAPACITOR	CERAMIC DISK 50		
	C 144	CER104PF50V	CAPACITOR	CERAMIC DISK 50			C 766	CER104PF50V	CAPACITOR	CERAMIC DISK 50		
	C 145	ELE100/63VSMS	CARBON RESISTOR	ELECTROLYTIC S			C 767	ELE1000/50VSD	CAPACITOR	ELECTROLYTIC S		
	C 146	CER100PF50VNPO	CAPACITOR	CERAMIC DISK 50			C 768	ELE1000/50VSD	CAPACITOR	ELECTROLYTIC S		
	C 147	CER100PF50VNPO	CAPACITOR	CERAMIC DISK 50			C 769	ELE2200/50VSHL	CAPACITOR	ELECTROLYTIC S		
	C 148	CER5PF50VNPO	CAPACITOR	CERAMIC DISK 50			C 770	ELE2200/50VSHL	CAPACITOR	ELECTROLYTIC S		
	C 149	ELE100/16VSMS	CAPACITOR	ELECTROLYTIC SM			C 771	ELE2200/50VSHL	CAPACITOR	ELECTROLYTIC S		
	C 160	ELE4.7/50VSMS	CAPACITOR	ELECTROLYTIC SM			C 772	ELE2200/50VSHL	CAPACITOR	ELECTROLYTIC S		
	C 161	ELE4.7/50VSMS	CAPACITOR	ELECTROLYTIC SM			C 773	MAL105J63VTL	CAPACITOR	MYLAR 5% 63V T		
	C 162	CER102PF50VCH	CAPACITOR	AXIAL CERAMIC 5			C 774	MAL105J63VTL	CAPACITOR	MYLAR 5% 63V T		
	C 163	CER102PF50VCH	CAPACITOR	AXIAL CERAMIC 5			C 780	CER22PF50VNPO	CAPACITOR	CERAMIC DISK 50		
	C 171	ELE100/50VSMS	CARBON RESISTOR	ELECTROLYTIC S			C 781	ELE10/50VMS	CAPACITOR	ELECTROLYTIC SM		
	C 172	CER102PF50V	CAPACITOR	CERAMIC DISK 50			C 785	ELE100/35VSMS	CAPACITOR	ELECTROLYTIC SM		
	C 173	ELE100/16VSMS	CAPACITOR	ELECTROLYTIC SM			C 786	ELE100/35VSMS	CAPACITOR	ELECTROLYTIC SM		
	C 190	ELE330/16VSMS	CAPACITOR	ELECTROLYTIC S			C 787	CER104PF50V	CAPACITOR	CERAMIC DISK 50		
	C 191	MAL104J63VTL	CAPACITOR	MYLAR 5% 63V T			C 788	CER104PF50V	CAPACITOR	CERAMIC DISK 50		
	C 201	ELE4.7/50VSMS	CAPACITOR	ELECTROLYTIC SM			C 790	CER473PF50V	CAPACITOR	CERAMIC DISK 50		
	C 202	ELE4.7/50VSMS	CAPACITOR	ELECTROLYTIC SM			C 791	MAL105J63VTL	CAPACITOR	MYLAR 5% 63V T		
	C 204	CER22PF50VNPO	CAPACITOR	CERAMIC DISK 50			C 792	CER473PF50V	CAPACITOR	CERAMIC DISK 50		
	C 205	CER100PF50VNPO	CAPACITOR	CERAMIC DISK 50			C 850	ELE10/25VSMS	CAPACITOR	ELECTROLYTIC SM		
	C 206	CER22PF50VNPO	CAPACITOR	CERAMIC DISK 50			C 861	CER223PF50V	CAPACITOR	CERAMIC DISK 50		
	C 219	ELE4.7/50VSMS	CAPACITOR	ELECTROLYTIC SM			C 862	CER104PF50V	CAPACITOR	CERAMIC DISK 50		
	C 220	CER100PF50VNPO	CAPACITOR	CERAMIC DISK 50			C 863	MAL103J63VTL	CAPACITOR	MYLAR 5% 63V T		
	C 242	CER104PF50V	CAPACITOR	CERAMIC DISK 50			C 864	MAL103J63VTL	CAPACITOR	MYLAR 5% 63V T		
	C 243	MAL224J63VTL	CAPACITOR	MYLAR 5% 63V T			C 867	CER104PF50V	CAPACITOR	CERAMIC DISK 50		
	C 244	CER104PF50V	CAPACITOR	CERAMIC DISK 50			CON01	LWL0640-2P	WAFER			
	C 245	ELE100/63VSMS	CARBON RESISTOR	ELECTROLYTIC S			D 142	1N4148	GE DIODE	SWITCHING SIGNA		
	C 246	CER100PF50VNPO	CAPACITOR	CERAMIC DISK 50			D 143	1N4148	GE DIODE	SWITCHING SIGNA		
	C 247	CER100PF50VNPO	CAPACITOR	CERAMIC DISK 50			D 151	1N5235	DIODE	ZENER 6.8V		
	C 248	CER5PF50VNPO	CAPACITOR	CERAMIC DISK 50			D 170	1N4148	GE DIODE	SWITCHING SIGNA		
	C 249	ELE100/16VSMS	CAPACITOR	ELECTROLYTIC SM			D 242	1N4148	GE DIODE	SWITCHING SIGNA		
	C 260	ELE4.7/50VSMS	CAPACITOR	ELECTROLYTIC SM			D 243	1N4148	GE DIODE	SWITCHING SIGNA		
	C 261	ELE4.7/50VSMS	CAPACITOR	ELECTROLYTIC SM			D 251	1N5235	DIODE	ZENER 6.8V		
	C 262	CER102PF50VCH	CAPACITOR	AXIAL CERAMIC 5			D 701	1N5404	CARBON RESISTOR	RECTIFIER		
	C 263	CER102PF50VCH	CAPACITOR	AXIAL CERAMIC 5			D 702	1N4004	DIODE	RECTIFIER		
	C 291	MAL104J63VTL	CAPACITOR	MYLAR 5% 63V T			D 704	1N4148	GE DIODE	SWITCHING SIGNA		
	C 345	ELE470/16VSMS	CAPACITOR	ELECTROLYTIC S			D 710	1N4148	GE DIODE	SWITCHING SIGNA		
	C 701	ELE10/25VSMS	CAPACITOR	ELECTROLYTIC SM			D 711	1N4148	GE DIODE	SWITCHING SIGNA		
	C 705	ELE47/25VSMS	CAPACITOR	ELECTROLYTIC SM			D 722	PR1504	DIODE	FAST RECOVERY		
	C 706	CER104PF50V	CAPACITOR	CERAMIC DISK 50			D 723	PR1504	DIODE	FAST RECOVERY		
	C 715	CER104PF50V	CAPACITOR	CERAMIC DISK 50			D 731	PR1504	DIODE	FAST RECOVERY		
	C 716	MAL334J63VTL	CAPACITOR	MYLAR 5% 63V T			D 732	PR1504	DIODE	FAST RECOVERY		
	C 717	ELE47/16VSMS	CAPACITOR	ELECTROLYTIC SM			D 734	PR1504	DIODE	FAST RECOVERY		
	C 718	ELE220/16VSMS	CAPACITOR	ELECTROLYTIC S			D 735	PR1504	DIODE	FAST RECOVERY		
	C 720	CER104PF50V	CAPACITOR	CERAMIC DISK 50			D 751	ESC25M02-D	DIODE	FAST RECOVERY		
	C 721	ELE10/25VSMS	CAPACITOR	ELECTROLYTIC SM			D 752	ESC25M02-D	DIODE	FAST RECOVERY		
	C 722	ELE47/25VSMS	CAPACITOR	ELECTROLYTIC SM			D 770	1N4148	GE DIODE	SWITCHING SIGNA		
	C 724	CER104PF50V	CAPACITOR	CERAMIC DISK 50			D 771	1N4148	GE DIODE	SWITCHING SIGNA		
	C 725	ELE10/100VSMS	CAPACITOR	ELECTROLYTIC SM			D 850	1N4148	GE DIODE	SWITCHING SIGNA		
	C 726	CER104PF50V	CAPACITOR	CERAMIC DISK 50			△	F 1	FUSE25A/32V	FUSE	TEFLON TUBE	
	C 727	ELE10/100VSMS	CAPACITOR	ELECTROLYTIC SM			△	F 2	FUSE25A/32V	FUSE	TEFLON TUBE	

■ Electrical parts list (MAIN PCB)

Block No. 01

△	Item	Parts number	Parts name	Remarks	Area	△	Item	Parts number	Parts name	Remarks	Area
	FH 01	WF-9604	FUSE HOLDER	PCB TYPE			Q 850	KTA1023Y	CARBON RESISTOR	SMALL SIGNAL PN	
	L 102	CL-200C	INDUCTOR	AIR COIL			Q 851	KTC3198GR	CARBON RESISTOR	SMALL SIGNAL NP	
	L 202	CL-200C	INDUCTOR	AIR COIL			R 101	CAR1/5WJ22K	RESISTOR	CARBON FILM 1/5	
	L 701	CL-900A	INDUCTOR	CHOCK COIL			R 102	MET1/5WF22K	RESISTOR	METAL FILM FILM	
	L 702	CL-1112	INDUCTOR	21PHI(1.2X2)12T			R 103	MET1/5WF22K	RESISTOR	METAL FILM FILM	
	L 721	TN000004730	INDUCTOR	AXIAL INDUCTOR			R 105	MET1/5WF56K	RESISTOR	METAL FILM FILM	
	LED01	KLR124-E	CARBON RESISTOR	LED(REDF)			R 106	MET1/5WF56K	RESISTOR	METAL FILM FILM	
	P 01	TMN005-01	TERMINAL	POWER 3P			R 133	CAR1/5WJ100K	RESISTOR	CARBON FILM 1/5	
	P 02	TMN004-02	TERMINAL	SPEAKER 4P			R 141	MET1/5WF5.6K	RESISTOR	METAL FILM FILM	
	Q 142	KTA1023Y	CARBON RESISTOR	SMALL SIGNAL PN			R 142	CAR1/5WJ330	RESISTOR	CARBON FILM 1/5	
	Q 143	KTA1023Y	CARBON RESISTOR	SMALL SIGNAL PN			R 143	CAR1/5WJ330	RESISTOR	CARBON FILM 1/5	
	Q 144	KTC1027Y	TRANSISTOR	SMALL SIGNAL NP			R 144	CAR1/5WJ360	RESISTOR	CARBON FILM 1/5	
	Q 145	KTC1027Y	TRANSISTOR	SMALL SIGNAL NP			R 145	CAR1/5WJ100K	RESISTOR	CARBON FILM 1/5	
	Q 146	KTC1027Y	TRANSISTOR	SMALL SIGNAL NP			R 146	CAR1/5WJ510	RESISTOR	CARBON FILM 1/5	
	Q 148	KTA1220A-Y	TRANSISTOR	MIDDLE POWER PN			R 147	CAR1/5WJ1K	RESISTOR	CARBON FILM 1/5	
	Q 149	KTA1220A-Y	TRANSISTOR	MIDDLE POWER PN			R 148	CAR1/5WJ430	RESISTOR	CARBON FILM 1/5	
	Q 150	J108	F.E.T	J-FET			R 149	CAR1/5WJ22	RESISTOR	CARBON FILM 1/5	
	Q 152	KTC2690A-Y	TRANSISTOR	MIDDLE POWER NP			R 150	CAR1/5WJ3.3K	RESISTOR	CARBON FILM 1/5	
	Q 161	IRF640	F.E.T	N-CH POWER MOSF			R 151	MET1/5WF22K	RESISTOR	METAL FILM FILM	
	Q 162	IRF640	F.E.T	N-CH POWER MOSF			R 152	CAR1/5WJ51	RESISTOR	CARBON FILM 1/5	
	Q 163	IRF640	F.E.T	N-CH POWER MOSF			R 154	MET1/5WF1K	RESISTOR	METAL FILM FILM	
	Q 164	IRF640	F.E.T	N-CH POWER MOSF			R 160	MET1/5WF22K	RESISTOR	METAL FILM FILM	
	Q 165	IRF640	F.E.T	N-CH POWER MOSF			R 161	CAR1/5WJ47	RESISTOR	CARBON FILM 1/5	
	Q 166	IRF640	F.E.T	N-CH POWER MOSF			R 162	CAR1/5WJ330	RESISTOR	CARBON FILM 1/5	
	Q 171	KTA1023Y	CARBON RESISTOR	SMALL SIGNAL PN			R 163	CAR1/5WJ47	RESISTOR	CARBON FILM 1/5	
	Q 172	KTC1027Y	TRANSISTOR	SMALL SIGNAL NP			R 164	CAR1/5WJ330	RESISTOR	CARBON FILM 1/5	
	Q 173	KTA1023Y	CARBON RESISTOR	SMALL SIGNAL NP			R 165	CAR1/5WJ56K	RESISTOR	CARBON FILM 1/5	
	Q 174	KTA1023Y	CARBON RESISTOR	SMALL SIGNAL PN			R 166	MET1/5WF150K	RESISTOR	METAL FILM FILM	
	Q 175	KTC3198GR	CARBON RESISTOR	SMALL SIGNAL NP			R 167	WIREWOUND5WJ	RESISTOR	WIREWOUND 5WJ	
	Q 176	KTC3198GR	CARBON RESISTOR	SMALL SIGNAL NP			R 168	WIREWOUND5WJ	RESISTOR	WIREWOUND 5WJ	
	Q 242	KTA1023Y	CARBON RESISTOR	SMALL SIGNAL PN			R 169	CAR1/2WJ4.7	RESISTOR	CARBON FILM 1/2	
	Q 243	KTA1023Y	CARBON RESISTOR	SMALL SIGNAL PN			R 170	CAR1/5WJ10K	RESISTOR	CARBON FILM 1/5	
	Q 244	KTC1027Y	TRANSISTOR	SMALL SIGNAL NP			R 171	CAR1/5WJ330	RESISTOR	CARBON FILM 1/5	
	Q 245	KTC1027Y	TRANSISTOR	SMALL SIGNAL NP			R 172	CAR1/5WJ1K	RESISTOR	CARBON FILM 1/5	
	Q 246	KTC1027Y	TRANSISTOR	SMALL SIGNAL NP			R 173	CAR1/5WJ330	RESISTOR NP	CARBON FILM 1/5	
	Q 248	KTA1220A-Y	TRANSISTOR	MIDDLE POWER PN			R 174	CAR1/5WJ43K	RESISTOR	CARBON FILM 1/5	
	Q 249	KTA1220A-Y	TRANSISTOR	MIDDLE POWER PN			R 175	CAR1/5WJ82K	RESISTOR	CARBON FILM 1/5	
	Q 250	J108	F.E.T	J-FET			R 176	CAR1/5WJ100K	RESISTOR	CARBON FILM 1/5	
	Q 252	KTC2690A-Y	TRANSISTOR	MIDDLE POWER NP			R 177	CAR1/5WJ390	RESISTOR	CARBON FILM 1/5	
	Q 261	IRF640	F.E.T	N-CH POWER MOSF			R 178	CAR1/5WJ1K	RESISTOR	CARBON FILM 1/5	
	Q 262	IRF640	F.E.T	N-CH POWER MOSF			R 179	CAR1/5WJ15K	RESISTOR	CARBON FILM 1/5	
	Q 263	IRF640	F.E.T	N-CH POWER MOSF			R 180	MET1/5WF22K	RESISTOR	METAL FILM FILM	
	Q 264	IRF640	F.E.T	N-CH POWER MOSF			R 181	CAR1/5WJ47	RESISTOR	CARBON FILM 1/5	
	Q 265	IRF640	F.E.T	N-CH POWER MOSF			R 182	MET3WJ560	RESISTOR	METAL FILM 3WJ	
	Q 266	IRF640	F.E.T	N-CH POWER MOSF			R 183	CAR1/5WJ100K	RESISTOR	CARBON FILM 1/5	
	Q 271	KTA1023Y	CARBON RESISTOR	SMALL SIGNAL PN			R 185	CAR1/5WJ47	RESISTOR	CARBON FILM 1/5	
	Q 701	KTA1023Y	CARBON RESISTOR	SMALL SIGNAL PN			R 186	CAR1/5WJ47	RESISTOR	CARBON FILM 1/5	
	Q 702	KTC3198GR	CARBON RESISTOR	SMALL SIGNAL NP			R 187	CAR1/5WJ47	RESISTOR	CARBON FILM 1/5	
	Q 705	KTA1266GR	CARBON RESISTOR	SMALL SIGNAL PN			R 188	MET1/5WF150K	RESISTOR	METAL FILM FILM	
	Q 706	KTA1266GR	CARBON RESISTOR	SMALL SIGNAL PN			R 191	MET2WJ22	CARBON RESISTOR	METAL FILM 2WJ	
	Q 707	KTC3198BL	CARBON RESISTOR	SMALL SIGNAL NP			R 195	CAR1/5WJ100	RESISTOR	CARBON FILM 1/5	
	Q 708	KTA1268GR	CARBON RESISTOR	SMALL SIGNAL PN			R 201	CAR1/5WJ22K	RESISTOR	CARBON FILM 1/5	
	Q 710	KTC3198GR	CARBON RESISTOR	SMALL SIGNAL NP			R 202	MET1/5WF22K	RESISTOR	METAL FILM FILM	
	Q 730	KTA1266GR	CARBON RESISTOR	SMALL SIGNAL PN			R 203	MET1/5WF22K	RESISTOR	METAL FILM FILM	
	Q 731	KTA1266GR	CARBON RESISTOR	SMALL SIGNAL PN			R 205	MET1/5WF56K	RESISTOR	METAL FILM FILM	
	Q 745	IRFZ44	F.E.T	N-CH POWER MOSF			R 206	MET1/5WF56K	RESISTOR	METAL FILM FILM	
	Q 746	IRFZ44	F.E.T	N-CH POWER MOSF			R 233	CAR1/5WJ100K	RESISTOR	CARBON FILM 1/5	
	Q 747	IRFZ44	F.E.T	N-CH POWER MOSF			R 241	MET1/5WF5.6K	RESISTOR	METAL FILM FILM	
	Q 755	IRFZ44	F.E.T	N-CH POWER MOSF			R 242	CAR1/5WJ330	RESISTOR	CARBON FILM 1/5	
	Q 756	IRFZ44	F.E.T	N-CH POWER MOSF			R 243	CAR1/5WJ330	RESISTOR	CARBON FILM 1/5	
	Q 757	IRFZ44	F.E.T	N-CH POWER MOSF			R 244	CAR1/5WJ360	RESISTOR	CARBON FILM 1/5	
	Q 780	J108	F.E.T	J-FET			R 245	CAR1/5WJ100K	RESISTOR	CARBON FILM 1/5	
	Q 790	TIP117	TRANSISTOR	PNP EPITAXIAL D			R 246	CAR1/5WJ510	RESISTOR	CARBON FILM 1/5	

■ Electrical parts list (MAIN PCB)

Block No. 01

△	Item	Parts number	Parts name	Remarks	Area
	R 247	CAR1/5WJ1K	RESISTOR	CARBON FILM 1/5	
	R 248	CAR1/5WJ430	RESISTOR	CARBON FILM 1/5	
	R 249	CAR1/5WJ22	RESISTOR	CARBON FILM 1/5	
	R 250	CAR1/5WJ3.3K	RESISTOR	CARBON FILM 1/5	
	R 251	MET1/5WF22K	RESISTOR	METAL FILM FILM	
	R 252	CAR1/5WJ51	RESISTOR	CARBON FILM 1/5	
	R 254	MET1/5WF1K	RESISTOR	METAL FILM FILM	
	R 260	MET1/5WF22K	RESISTOR	METAL FILM FILM	
	R 261	CAR1/5WJ47	RESISTOR	CARBON FILM 1/5	
	R 262	CAR1/5WJ330	RESISTOR	CARBON FILM 1/5	
	R 263	CAR1/5WJ47	RESISTOR	CARBON FILM 1/5	
	R 264	CAR1/5WJ330	RESISTOR	CARBON FILM 1/5	
	R 265	CAR1/5WJ56K	RESISTOR	CARBON FILM 1/5	
	R 266	MET1/5WF150K	RESISTOR	METAL FILM FILM	
	R 267	WIREWOUND5WJ	RESISTOR	WIREWOUND 5WJ	
	R 268	WIREWOUND5WJ	RESISTOR	WIREWOUND 5WJ	
	R 269	CAR1/2WJ4.7	RESISTOR	CARBON FILM 1/2	
	R 270	CAR1/5WJ10K	RESISTOR	CARBON FILM 1/5	
	R 271	CAR1/5WJ330	RESISTOR	CARBON FILM 1/5	
	R 272	CAR1/5WJ1K	RESISTOR	CARBON FILM 1/5	
	R 280	MET1/5WF22K	RESISTOR	METAL FILM FILM	
	R 281	CAR1/5WJ47	RESISTOR	CARBON FILM 1/5	
	R 285	CAR1/5WJ47	RESISTOR	CARBON FILM 1/5	
	R 286	CAR1/5WJ47	RESISTOR	CARBON FILM 1/5	
	R 287	CAR1/5WJ47	RESISTOR	CARBON FILM 1/5	
	R 288	MET1/5WF150K	RESISTOR	METAL FILM FILM	
	R 291	MET2WJ22	CARBON RESISTOR	METAL FILM 2WJ	
	R 295	CAR1/5WJ100	RESISTOR	CARBON FILM 1/5	
	R 382	MET3WJ560	RESISTOR	METAL FILM 3WJ	
	R 395	CAR1/5WJ4.7K	RESISTOR	CARBON FILM 1/5	
	R 701	CAR1/2WJ68	RESISTOR	CARBON FILM 1/2	
	R 702	CAR1/5WJ4.7K	RESISTOR	CARBON FILM 1/5	
	R 703	CAR1/5WJ4.7K	RESISTOR	CARBON FILM 1/5	
	R 704	CAR1/5WJ4.7K	RESISTOR	CARBON FILM 1/5	
	R 705	CAR1/5WJ10K	RESISTOR	CARBON FILM 1/5	
	R 715	MET1/5WF140K	RESISTOR	METAL FILM FILM	
	R 716	MET1/5WF51K	RESISTOR	METAL FILM FILM	
	R 717	CAR1/5WJ4.7K	RESISTOR	CARBON FILM 1/5	
	R 718	CAR1/5WJ4.7K	RESISTOR	CARBON FILM 1/5	
	R 719	CAR1/5WJ10K	RESISTOR	CARBON FILM 1/5	
	R 720	CAR1/5WJ10K	RESISTOR	CARBON FILM 1/5	
	R 722	MET1/WJ22	RESISTOR	METAL FILM 1WJ	
	R 725	CAR1/5WJ10	RESISTOR	CARBON FILM 1/5	
	R 726	CAR1/5WJ910	RESISTOR	CARBON FILM 1/5	
	R 730	CAR1/5WJ1K	RESISTOR	CARBON FILM 1/5	
	R 731	CAR1/5WJ22K	RESISTOR	CARBON FILM 1/5	
	R 732	CAR1/5WJ33K	RESISTOR	CARBON FILM 1/5	
	R 733	CAR1/5WJ15K	RESISTOR	CARBON FILM 1/5	
	R 734	CAR1/5WJ15K	RESISTOR	CARBON FILM 1/5	
	R 740	CAR1/5WJ47K	RESISTOR	CARBON FILM 1/5	
	R 741	MWT1/5WF24K	RESISTOR	METAL FILM FILM	
	R 742	CAR1/2WJ220	RESISTOR	CARBON FILM 1/2	
	R 743	CAR1/2WJ220	RESISTOR	CARBON FILM 1/2	
	R 744	CAR1/5WJ1K	RESISTOR	CARBON FILM 1/5	
	R 745	CAR1/5WJ100	RESISTOR	CARBON FILM 1/5	
	R 746	CAR1/5WJ100	RESISTOR	CARBON FILM 1/5	
	R 747	CAR1/5WJ100	RESISTOR	CARBON FILM 1/5	
	R 750	CAR1/5WJ27K	RESISTOR	CARBON FILM 1/5	
	R 751	CAR1/5WJ12K	RESISTOR	CARBON FILM 1/5	
	R 752	CAR1/5WJ1.5K	RESISTOR	CARBON FILM 1/5	
	R 754	CAR1/5WJ1K	RESISTOR	CARBON FILM 1/5	
	R 755	CAR1/5WJ100	RESISTOR	CARBON FILM 1/5	
	R 756	CAR1/5WJ100	RESISTOR	CARBON FILM 1/5	

△	Item	Parts number	Parts name	Remarks	Area
	R 757	CAR1/5WJ100	RESISTOR	CARBON FILM 1/5	
	R 760	MET2WJ100	RESISTOR	METAL FILM 2WJ	
	R 777	CAR1/2WJ10K	RESISTOR	CARBON FILM 1/2	
	R 778	CAR1/2WJ10K	RESISTOR	CARBON FILM 1/2	
	R 780	CAR1/5WJ220K	RESISTOR	CARBON FILM 1/5	
	R 781	CAR1/5WJ10K	RESISTOR	CARBON FILM 1/5	
	R 782	CAR1/5WJ4.7M	RESISTOR	CARBON FILM 1/5	
	R 790	CAR1/5WJ10K	RESISTOR	CARBON FILM 1/5	
	R 791	CAR1/2WJ2.2	RESISTOR	CARBON FILM 1/2	
	R 792	CAR1/5WJ2.2K	RESISTOR	CARBON FILM 1/5	
	R 850	CAR1/5WJ4.7K	RESISTOR	CARBON FILM 1/5	
	R 851	CAR1/5WJ4.7K	RESISTOR	CARBON FILM 1/5	
	R 852	CAR1/5WJ22K	RESISTOR	CARBON FILM 1/5	
	R 853	CAR1/5WJ4.7K	RESISTOR	CARBON FILM 1/5	
	R 854	CAR1/5WJ75K	RESISTOR	CARBON FILM 1/5	
	RCA01	SY-SW0406-82	RCA JACK	GOLD PLATED	
	T 01	TF149051501	INDUCTOR	TROID CORE ISU	
	TH 01	FTD5-350	CARBON RESISTOR	NTC RESISTOR	
	U 101	NJM2068L-D	I.C	DUAL OP AMP	
	U 701	TL494CN	I.C	P.W.M	
	U 703	KIA7815PI	I.C	REGULATOR I.C +	
	U 704	KIA7915PI	I.C	REGULATOR I.C -	
	VR701	SEMEX-VR2	SEMI VOLUME	6.5PHI	
	WR 1	CHDW1140-N	CONNECTOR ASSY	CRIMP TERMINAL	

■ Electrical parts list (SUB1/SUB2/CCFL PCB)

Block No. 02

△	Item	Parts number	Parts name	Remarks	Area	△	Item	Parts number	Parts name	Remarks	Area
	C 107	CER470PF50V	CAPACITOR	CERAMIC DISK 50			R 216	CAR1/5WJ15K	RESISTOR	CARBON FILM 1/5	
	C 108	CER33PF50VNPO	CAPACITOR	CERAMIC DISK 50			R 217	CAR1/5WJ10K	RESISTOR	CARBON FILM 1/5	
	C 109	CER47PF50VNPO	CAPACITOR	CERAMIC DISK 50			R 218	CAR1/5WJ15K	RESISTOR	CARBON FILM 1/5	
	C 110	MAL473J63VTL	CAPACITOR	MYLAR 5% 63V T			R 230	CAR1/5WJ22K	RESISTOR	CARBON FILM 1/5	
	C 111	MAL473J63VTL	CAPACITOR	MYLAR 5% 63V T			R 231	CAR1/5WJ22K	RESISTOR	CARBON FILM 1/5	
	C 112	ELE2.2/50VSE	CAPACITOR	ELECTROLYTIC SE			R 232	CAR1/5WJ22K	RESISTOR	CARBON FILM 1/5	
	C 113	ELE2.2/50VSE	CAPACITOR	ELECTROLYTIC SE			R 234	CAR1/5WJ1K	RESISTOR	CARBON FILM 1/5	
	C 114	ELE2.2/50VSE	CAPACITOR	ELECTROLYTIC SE			R 235	CAR1/5WJ1K	RESISTOR	CARBON FILM 1/5	
	C 115	MAL224J63VTL	CAPACITOR	MYLAR 5% 63V T			R 236	CAR1/5WJ1K	RESISTOR	CARBON FILM 1/5	
	C 116	MAL183J63VTL	CAPACITOR	MYLAR 5% 63V T			R 237	CAR1/5WJ20K	RESISTOR	CARBON FILM 1/5	
	C 117	CER47PF50VNPO	CAPACITOR	CERAMIC DISK 50			R 238	CAR1/5WJ330K	RESISTOR	CARBON FILM 1/5	
	C 125	ELE4.7UF/50VSE	CAPACITOR	ELECTROLYTIC SE			R 239	CAR1/5WJ5.6K	RESISTOR	CARBON FILM 1/5	
	C 207	CER470PF50V	CAPACITOR	CERAMIC DISK 50			R 240	CAR1/5WJ680K	RESISTOR	CARBON FILM 1/5	
	C 208	CER24PF50VNPO	CAPACITOR	CERAMIC DISK 50			R 801	CAR1/2WJ1.5K	RESISTOR	CARBON FILM 1/2	
	C 209	CER47PF50VNPO	CAPACITOR	CERAMIC DISK 50			R 802	CAR1/2WJ4.7M	RESISTOR	CARBON FILM 1/2	
	C 210	MAL473J63VTL	CAPACITOR	MYLAR 5% 63V T			R 803	CAR1/2WJ4.7M	RESISTOR	CARBON FILM 1/2	
	C 211	MAL473J63VTL	CAPACITOR	MYLAR 5% 63V T			R 804	CAR1/5WK200	RESISTOR	CARBON FILM 1/5	
	C 212	ELE2.2/50VSE	CAPACITOR	ELECTROLYTIC SE			SW101	JSS2319	SWITCH	SLIDE SWITCH	
	C 213	ELE2.2/50VSE	CAPACITOR	ELECTROLYTIC SE			T 02	CL-113	INDUCTOR	DRUM TYPE CHOKE	
	C 214	ELE2.2/50VSE	CAPACITOR	ELECTROLYTIC SE			T 02	CHT-100	TRANS	CCFL INVERTER T	
	C 215	MAL224J63VTL	CAPACITOR	MYLAR 5% 63V T			U 102	NJM2068L-D	I.C	DUAL OP AMP	
	C 216	MAL183J63VTL	CAPACITOR	MYLAR 5% 63V T			U 103	NJM2068L-D	I.C	DUAL OP AMP	
	C 217	CER47PF50VNPO	CAPACITOR	CERAMIC DISK 50			U 104	NJM2068L-D	I.C	DUAL OP AMP	
	C 225	ELE4.7UF/50VSE	CAPACITOR	ELECTROLYTIC SE			U 105	NJM2068L-D	I.C	DUAL OP AMP	
	C 801	MAL473K/100V	CAPACITOR	CERAMIC DISK 50			U 106	NJM2068L-D	I.C	DUAL OP AMP	
	C 802	CER18P3KV	CAPACITOR	HIGH VOLTAGE CE			U 206	NJM2068L-D	I.C	DUAL OP AMP	
	C 804	CER104PF50V	CAPACITOR	CERAMIC DISK 50			VR101	V0142203211	VOLUME	V9M(7X5)G3(PH3R	
	CFL01	190M/M	CCFL				VR102	V0144503211	VOLUME	V9M(7X5)G(4R)(P	
	CON02	TM2007-T14G-09	HEADER PIN	RIGHT ANGLE GOL			VR103	V0142203211	VOLUME	V9M(7X5)G3(PH3R	
	CON03	TM2007-T14G-09	HEADER PIN	RIGHT ANGLE GOL			WR801	CHL0640-2P	WIRE ASS'Y	GND.+	
	D 801	1N5241	DIODE	ZENER 11V 0.5W							
	Q 801	KTC1027Y	TRANSISTOR	SMALL SIGNAL NP							
	Q 802	KTC1027Y	TRANSISTOR	MALL SIGNAL NP							
	Q 803	KTC2690A-Y	TRANSISTOR	MIDDLE POWER NP							
	R 108	CAR1/5WJ1K	RESISTOR	CARBON FILM 1/5							
	R 109	CAR1/5WJ1K	RESISTOR	CARBON FILM 1/5							
	R 110	CAR1/5WJ15K	RESISTOR	CARBON FILM 1/5							
	R 111	MET1/5WF11K	RESISTOR	METAL FILM 1/5W							
	R 112	MET1/5WF30K	RESISTOR	METAL FILM 1/5W							
	R 113	CAR1/5WJ10K	RESISTOR	CARBON FILM 1/5							
	R 114	CAR1/5WJ10K	RESISTOR	CARBON FILM 1/5							
	R 115	CAR1/5WJ10K	RESISTOR	CARBON FILM 1/5							
	R 116	CAR1/5WJ15K	RESISTOR	CARBON FILM 1/5							
	R 117	CAR1/5WJ10K	RESISTOR	CARBON FILM 1/5							
	R 118	CAR1/5WJ15K	RESISTOR	CARBON FILM 1/5							
	R 130	CAR1/5WJ22K	RESISTOR	CARBON FILM 1/5							
	R 131	CAR1/5WJ22K	RESISTOR	CARBON FILM 1/5							
	R 132	CAR1/5WJ22K	RESISTOR	CARBON FILM 1/5							
	R 134	CAR1/5WJ1K	RESISTOR	CARBON FILM 1/5							
	R 135	CAR1/5WJ1K	RESISTOR	CARBON FILM 1/5							
	R 136	CAR1/5WJ1K	RESISTOR	CARBON FILM 1/5							
	R 137	CAR1/5WJ20K	RESISTOR	CARBON FILM 1/5							
	R 138	CAR1/5WJ330K	RESISTOR	CARBON FILM 1/5							
	R 139	CAR1/5WJ5.6K	RESISTOR	CARBON FILM 1/5							
	R 140	CAR1/5WJ680K	RESISTOR	CARBON FILM 1/5							
	R 208	CAR1/5WJ1K	RESISTOR	CARBON FILM 1/5							
	R 209	CAR1/5WJ1K	RESISTOR	CARBON FILM 1/5							
	R 210	MET1/5WF15K	RESISTOR	METAL FILM 1/5W							
	R 211	CAR1/5WJ12K	RESISTOR	CARBON FILM 1/5							
	R 212	MET1/5WF56K	RESISTOR	METAL FILM 1/5W							
	R 213	CAR1/5WJ10K	RESISTOR	CARBON FILM 1/5							
	R 214	CAR1/5WJ10K	RESISTOR	CARBON FILM 1/5							
	R 215	CAR1/5WJ10K	RESISTOR	CARBON FILM 1/5							

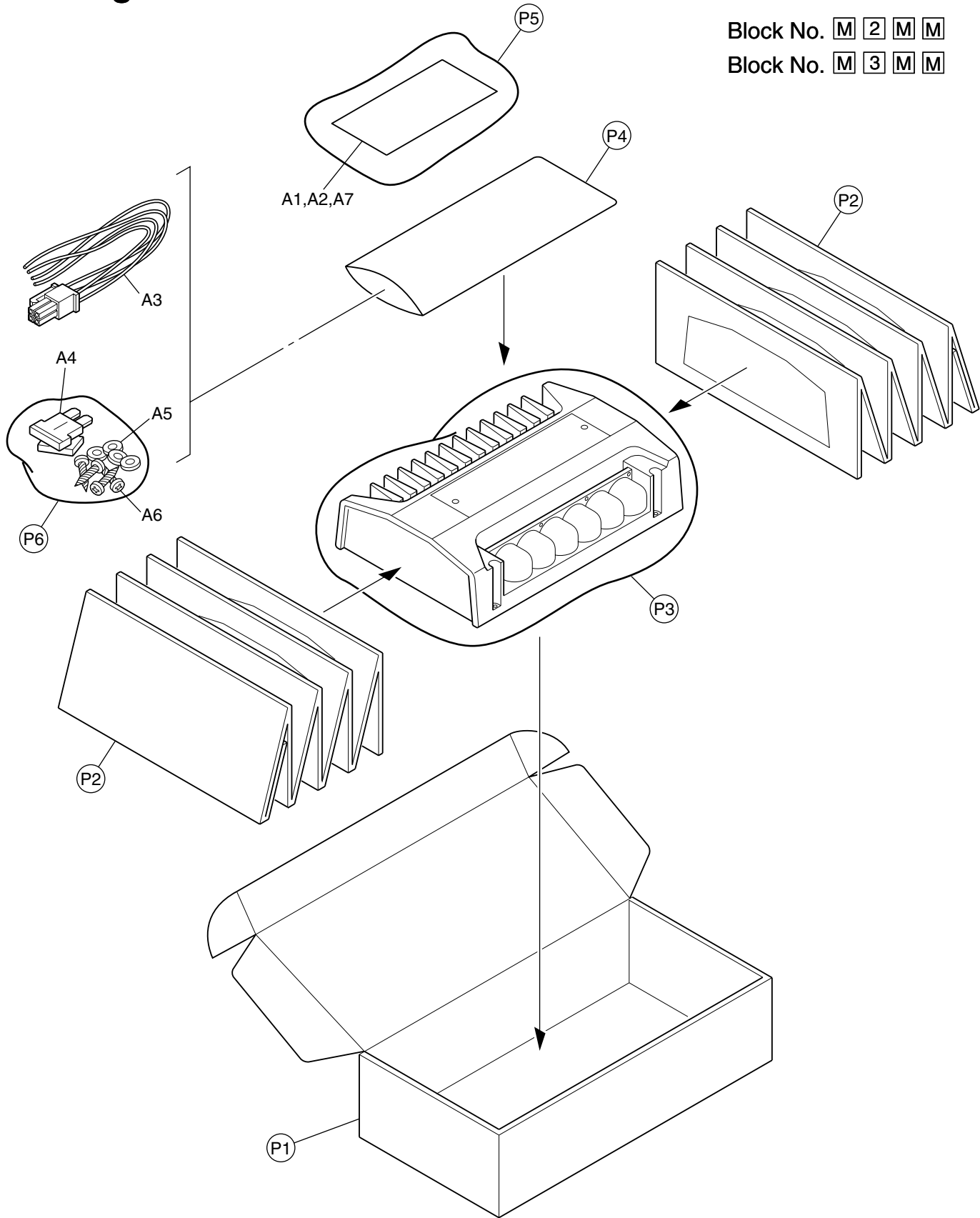
Packing and accessories

Block No.

M	2	M	M
---	---	---	---

Block No.

M	3	M	M
---	---	---	---



■ Packing parts list

Block No. M2MM

△	Item	Parts number	Parts name	Q'ty	Description	Area
	P 1	MAGB056184-0	GIFT BOX	1		
	P 2	MOIN011525-2	INNER PAD	2		
	P 3	MAPB011523-4	POLY BAG (A)	1		
	P 4	MAPB011524-1	POLY BAG (D)	1		
	P 5	MAPB011715-0	POLY BAG (B)	1		
	P 6	MAPB014101-0	POLY BAG (C)	1		

■ Accessories parts list

Block No. M3MM

△	Item	Parts number	Parts name	Q'ty	Description	Area
	A 1	LVT0504-001A	INSTRUCTIONS	1		
	A 2	BT-51018-2	WARRANTY CARD	1		J
		BT-51020-2	J=REGIST CARD	1		J
		BT-52004-1	WARRANTY CARD	1		J
		BT-54013-1	WARRANTY CARD	1		E
	A 3	CHD114-N	CONNECTOR ASS'Y	1	ACCES	
△	A 4	FUSE25A/32V	AUTO FUSE	2	25A	
	A 5	MOCU014167-0	RUBBER RING	4		
	A 6	MBSC02240-20	SCREW	4		
	A 7	BT-20071B	JVC CENTER LIST	1		J
	KIT 1	KSAX6300-SCREW	SCREW PARTS KIT	1	A5, A6, P6	